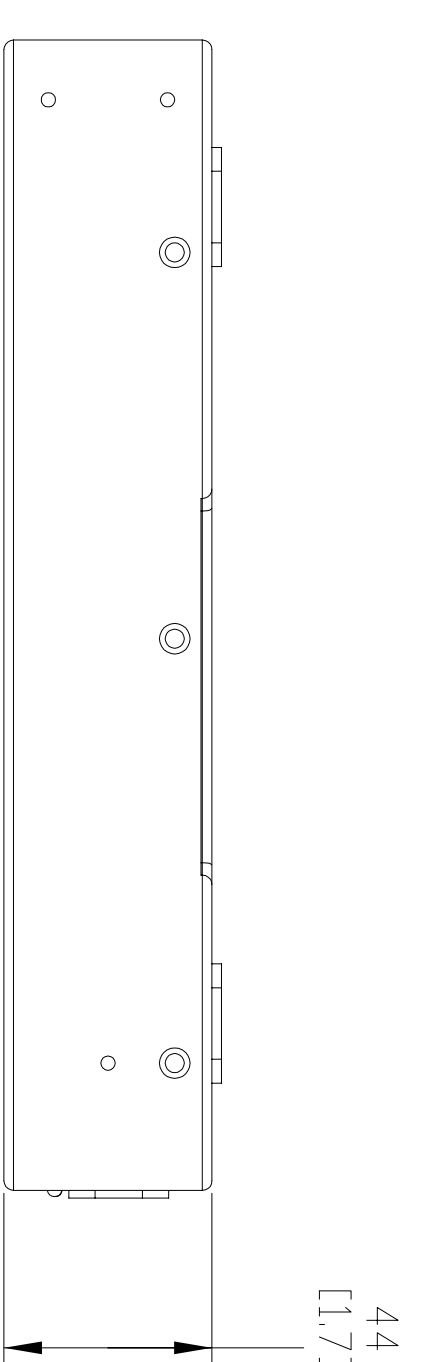
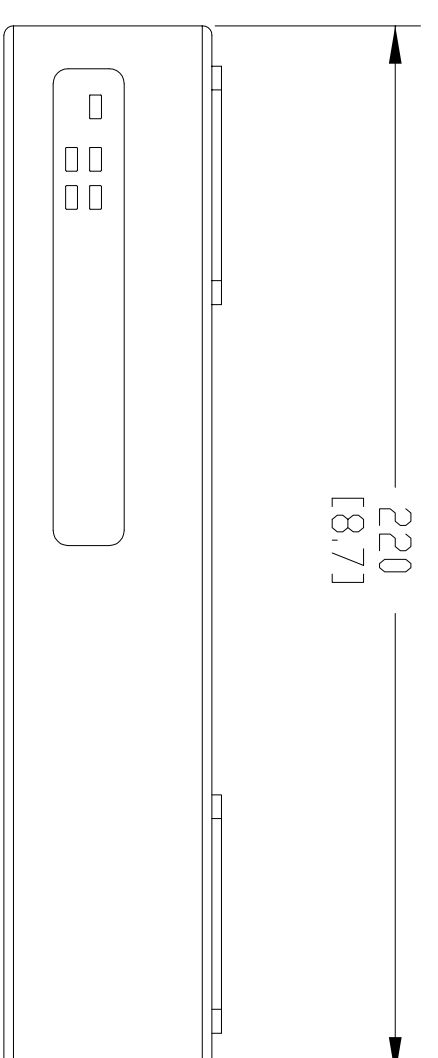
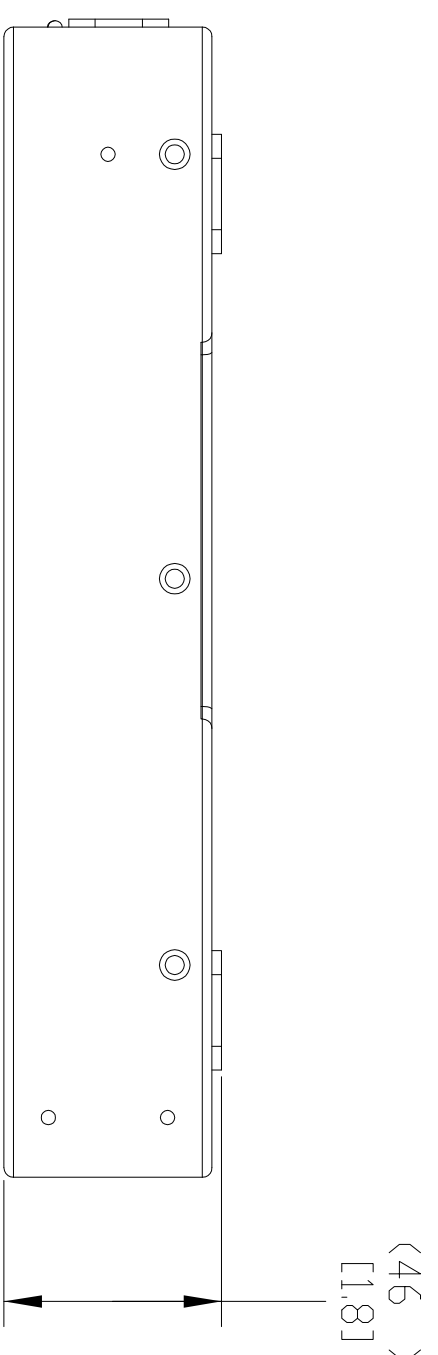
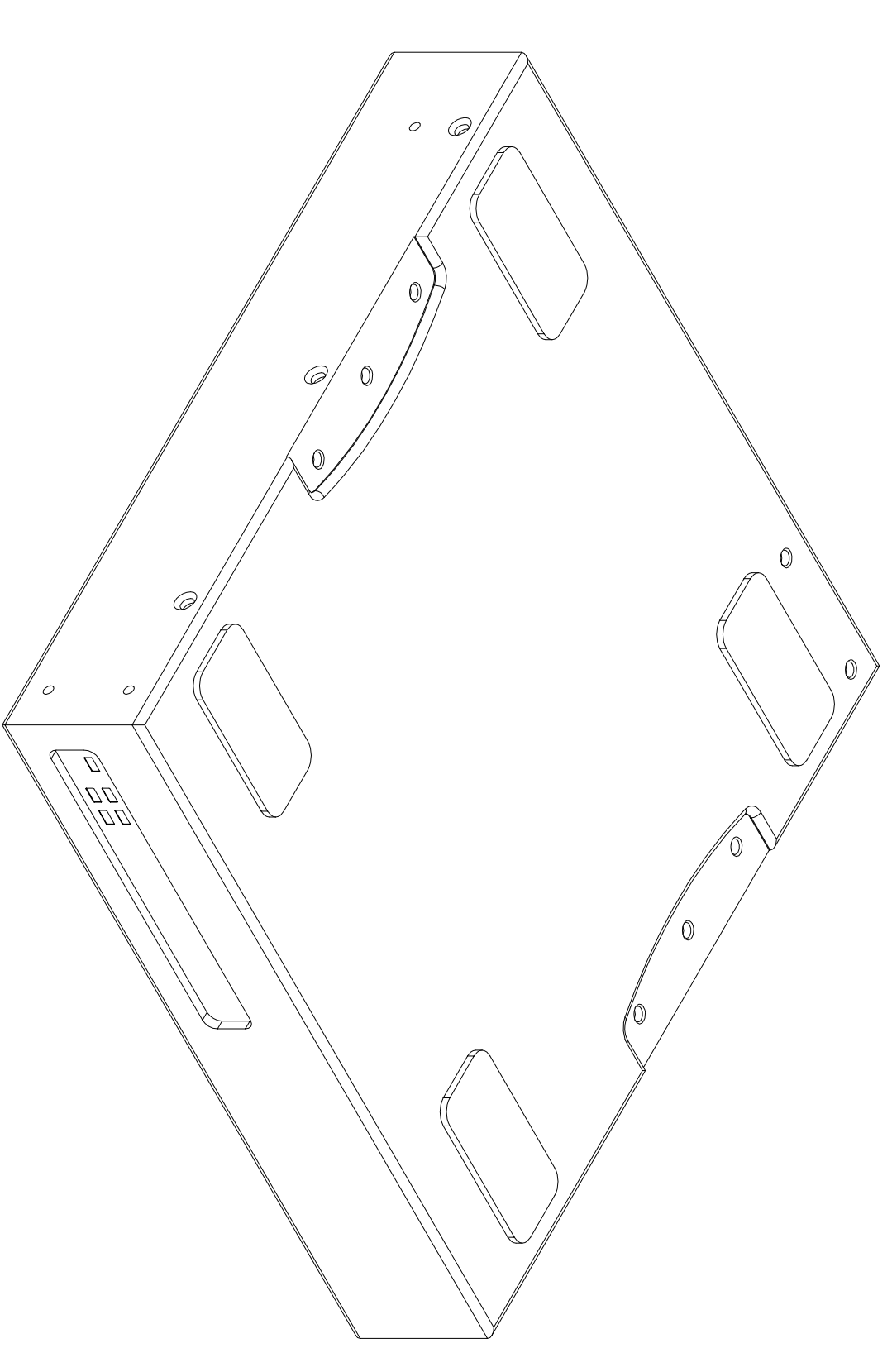
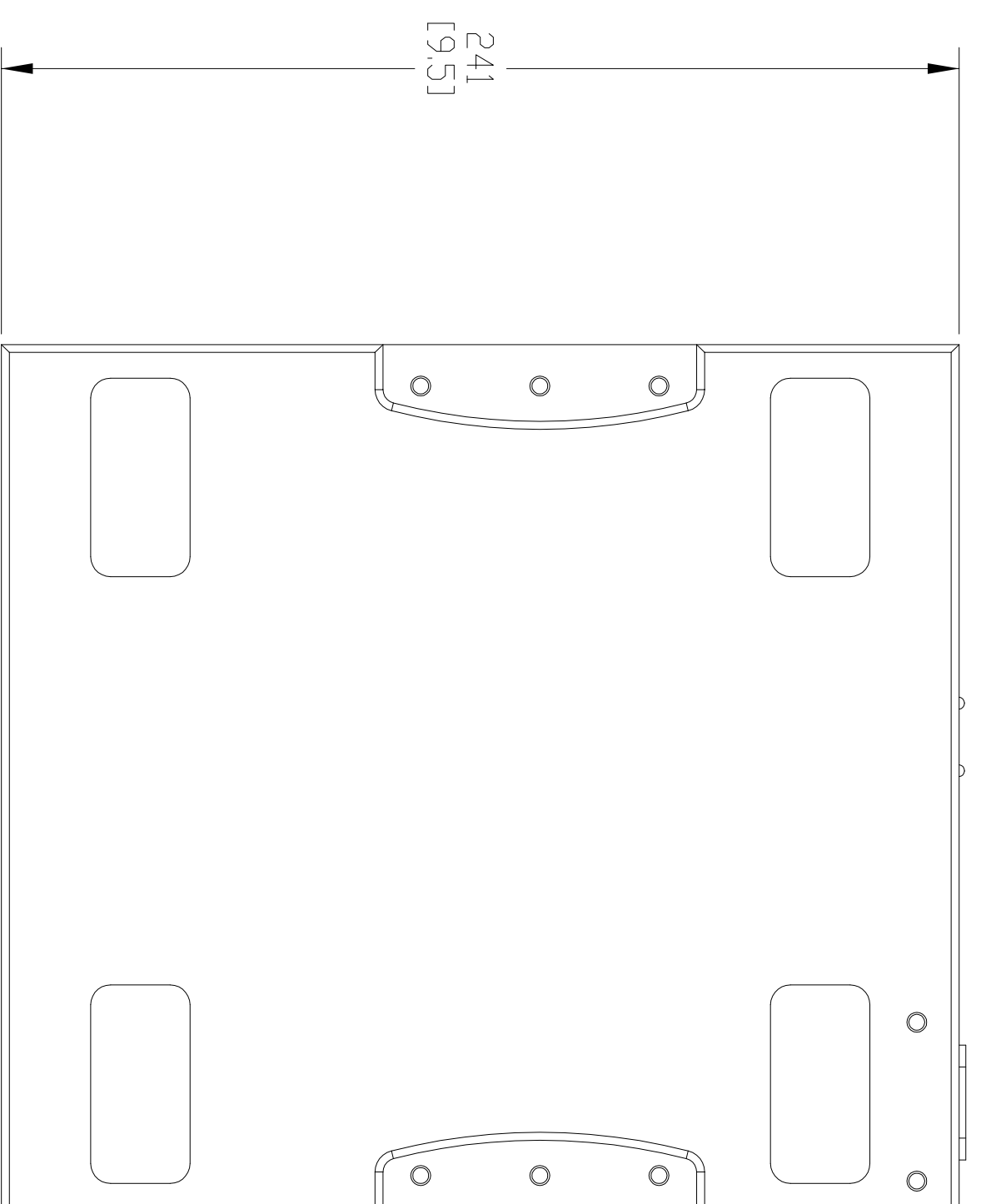


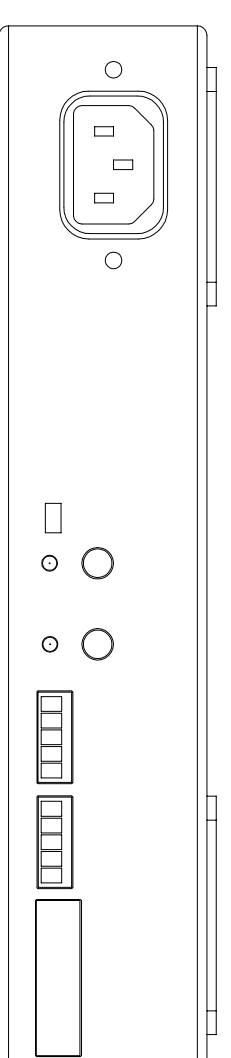
THIS DOCUMENT CONTAINS PROPRIETARY INFORMATION
 WHICH IS THE PROPERTY OF QSC AUDIO PRODUCTS.
 IT IS TO BE USED ONLY FOR THE PROJECT AND
 MAY NOT BE DISCLOSED, REPRODUCED OR USED WITHOUT
 EXPRESS WRITTEN CONSENT FROM QSC AUDIO PRODUCTS.

8 7 6 5 4 3 2 1

REVISITONS		BY	DATE
REV	DESCRIPTION		



FRONT VIEW



REAR VIEW

5. MEETS UL2043 WITH PLENUM KIT FG-000995-00.
4. MEETS ENERGYSTAR REQUIREMENTS.
3. CHASSIS DESIGNED TO MEET IU RACK MOUNT SPECIFICATION IEC60297-3-100.
2. FEATURES SYMMETRICAL ABOUT CENTERLINE.
1. NET WEIGHT OF SPA2-200 APPROX. 1.1 KG (3.5 LBS). HARDWARE IS ADDITIONAL WEIGHT.

NOTES: UNLESS OTHERWISE SPECIFIED.

UNLESS OTHERWISE SPECIFIED, DIMENSIONS IN MILLIMETERS (IN)		DESIGNER	
TOLERANCES ARE:		ENGINEERING SERVICES	
DECIMALS	FRACTIONS	ANGLES	ENGINEER
X .30(2)	XX 25(0.01)	1/2	
SHARP EDGES .25 (0.01) R MAX		TECHNICAL DIRECTOR	
MATERIAL		MANUFACTURING ENGINEER	
FINISH		DRAWING INFO	
		MODEL INFO	
SIZE		SCALE	
D	00P W4	DD	DDI
SCALE: 0.600		SCALE: DRAWING SHEET	
1 OF 1		REV A	

QSC QSC AUDIO PRODUCTS, LLC
 1675 MACARTHUR BOULEVARD
 COSTA MESA, CA 92626

SPA2-60, FREE-STANDING

8 7 6 5 4 3 2 1