

# AcousticPerformance™ Series



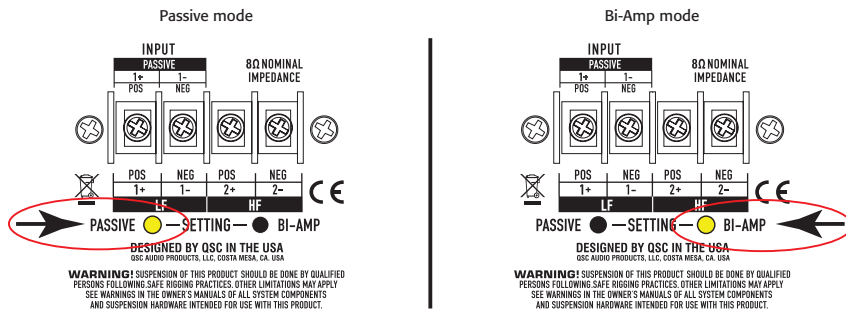
## Quick Start Guide

### Input Configuration Trapezoid Models

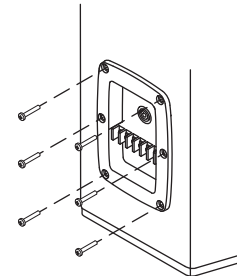
AcousticPerformance trapezoid models have the ability to switch between Passive and Bi-amp modes. Look at the Setting ports, below the input connectors, to determine the current mode. **Yellow in the Setting port indicates the current mode.** Refer to Figure 1 and Figure 2



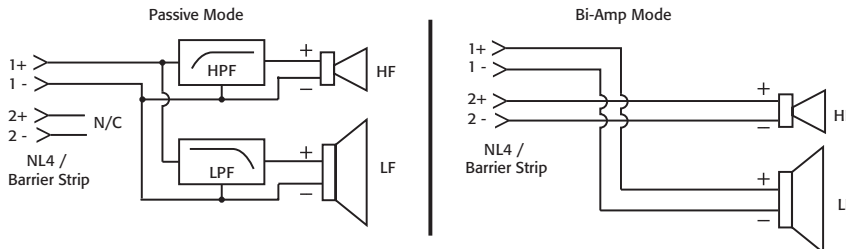
Note: The default mode is PASSIVE



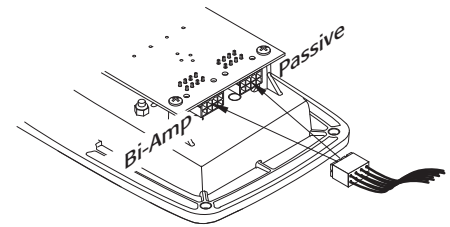
– Figure 1 –



– Figure 3 –



– Figure 2 –



– Figure 4 –

### Changing from Passive to Bi-amp mode

To change from Passive to Bi-amp or Bi-amp to Passive mode: Refer to Figure 3 and Figure 4.

1. Remove the six screws holding the input cup in place.
2. Remove the input cup, being careful not to place excess stress on the connecting wiring harness.
3. Remove the wiring harness plug from the receptacle at the bottom of the cup.
4. Insert the wiring harness plug into the desired mode receptacle at the bottom of the cup.
5. Turn the input cup over and verify that yellow is visible in the proper SETTING port. If not, move the plug to desired receptacle.
6. Carefully place the input cup back into position on the enclosure, being careful not to bind or pinch any of the wiring.
7. Secure the input cup with the six screws removed in step 1.

TD-000506-00-A

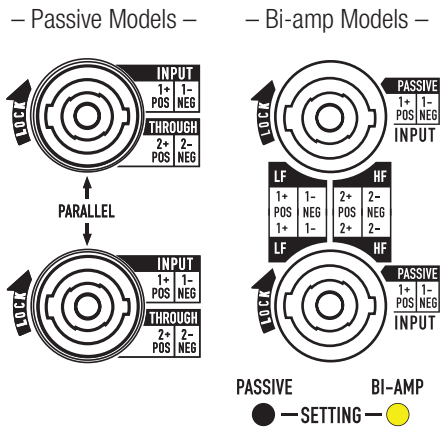


## Input Configuration Multipurpose Models

AcousticPerformance multipurpose (m) models feature two NL4 connectors in parallel configuration for convenient pass through. For Bi-amp capable models, LF is on pins 1+/- and HF on pins 2+/- . For passive fullrange operation, ensure passive mode setting and use pins 1+/- with pins 2+/- being available for pass through. Refer to Figure 5.



Ensure proper mode setting on Bi-amp capable models. Passive models do not feature mode settings.

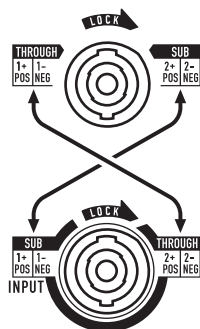


– Figure 5 –

## Input Configuration Subwoofer Models

AcousticPerformance subwoofer (sw) models feature two NL4 connectors in a crossed configuration. The subwoofers input uses pins 1+/-, leaving pins 2+/- available for pass through to top boxes. The pass through output returns pins 2+/- back onto pins 1+/- for convenient cabling. A single NL4 cable may be used for both sub and top box without the need for a custom turn cable. Refer to Figure 6 and Figure 7.

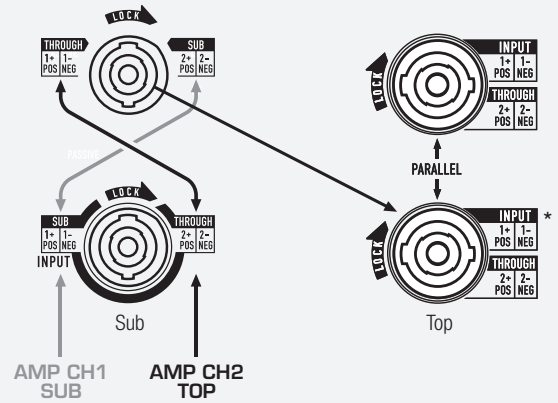
– Subwoofer Models –



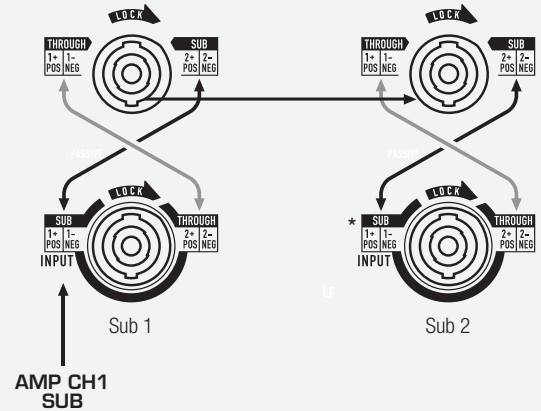
– Figure 6 –

## Wiring Examples

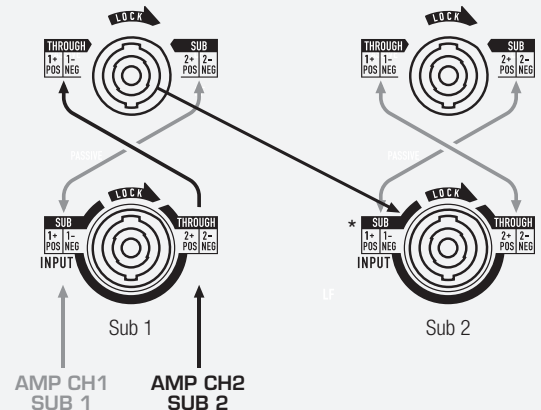
– Sub to Top –



– Parallel Sub to Sub –



– Discrete Sub to Sub –



– Figure 7 –

## Using Yoke Mounts

AcousticPerformance Loudspeakers can be installed using a yoke mount attached to the M10 Integrated Suspension Points. A 6 mm hex key is required.

- Model AP-5102 (10") uses the AP-YM10 Yoke Mount
- Model AP-5122 (12") uses the AP-YM12 Yoke Mount
- Model AP-5122m (12" multi-purpose) uses the AP-YM12m Yoke Mount
- Model AP-4122m (12" multi-purpose coaxial) uses the AP-YM12m Yoke Mount



**NOTE:** The multi-purpose models mount perpendicular to the yoke. Refer to Figure 2.



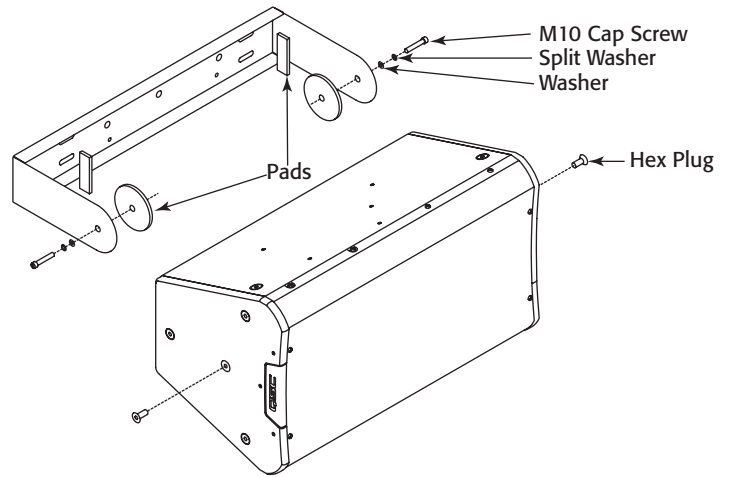
**WARNING!** Consult a structural engineer before mounting the Yoke Mounts to any surface. Be sure the surface can support the weight of the loudspeaker, and that the proper bolts are used to secure the yoke to the surface.

1. Properly secure the yoke mount bracket to the selected surface.
2. Refer to Figure 1 and Figure 2
3. Remove the center M10 hex plugs from the top and bottom of the loudspeaker enclosure. You may discard or recycle the plugs.
4. Using proper lifting techniques place the loudspeaker in the yoke with the two circular pads between the top and bottom of the loudspeaker enclosure and the yoke.
5. Install the M10 socket head cap screw, lock washer, and flat washer through the yoke and pad, and into the Integrated Suspension point. Repeat for the other end of the loudspeaker enclosure. Do not fully tighten the screws at this point.
6. Adjust the angle of the loudspeaker as required.
7. To prevent rattling with installation models in a vertical orientation, install the two rectangular pads between the loudspeaker enclosure and the yoke mount.

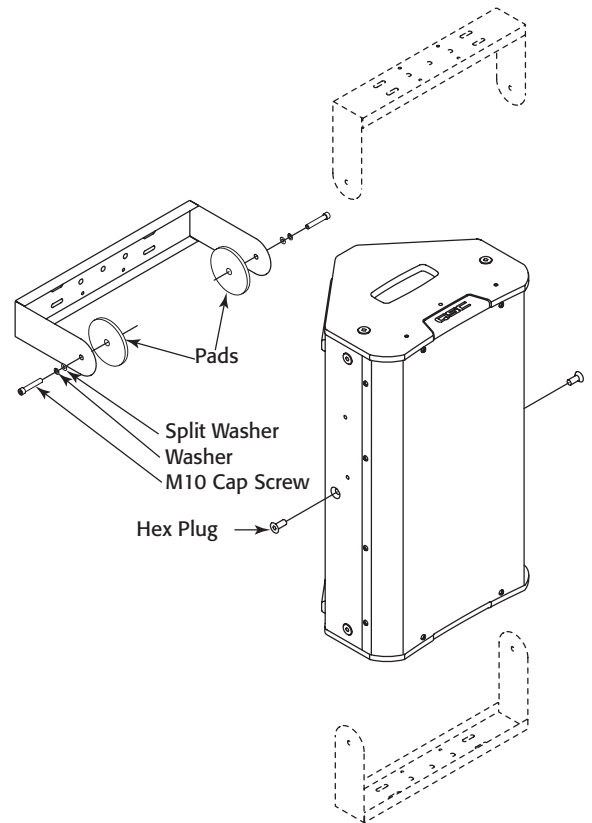


**NOTE:** If you reposition the loudspeaker be sure to check that the rectangular pads are in the proper positions.

8. Torque the M10 cap screws to 60 in/lbs.



– Figure 1 –



– Figure 2 –



---

Mailing Address:

QSC Audio Products, LLC  
1675 MacArthur Boulevard  
Costa Mesa, CA 92626-1468 USA

Telephone Numbers:

Main Number: (714) 754-6175  
Sales & Marketing: (714) 957-7100, toll free USA only (800) 854-4079  
Customer Service: (714) 957-7150, toll free USA only (800) 772-2834

Facsimile Numbers:

Sales & Marketing FAX: (714) 754-6174  
Customer Service FAX: (714) 754-6173

World Wide Web:

[www.qsc.com](http://www.qsc.com)

E-mail:

[info@qsc.com](mailto:info@qsc.com)  
[service@qsc.com](mailto:service@qsc.com)  
[tech\\_support@qsc.com](mailto:tech_support@qsc.com)

---

If you would like a full copy of the AcousticPerformance User manual, visit the QSC Audio Products website at [www.qsc.com](http://www.qsc.com), or contact Customer Service +1 714 957-7150 or toll free (USA only) (800) 772-2834 to receive a copy by mail.

Si desea obtener una copia completa del manual del usuario de la AcousticPerformance, visite el sitio web de QSC Audio Products en [www.qsc.com](http://www.qsc.com), o póngase en contacto con el Servicio al Cliente +1 714 957-7150 o sin costo (sólo en EE.UU.) al (800) 772-2834 para recibir una copia por correo.

Pour obtenir un exemplaire complet du manuel d'utilisation de la AcousticPerformance, allez sur le site Web QSC Audio Products à [www.qsc.com](http://www.qsc.com) ou contactez le service clientèle au +1 714 957-7150 ou au (800) 772-2834 (numéro vert - USA seulement) pour recevoir un exemplaire par courrier.

Ein vollständiges Exemplar des Benutzerhandbuchs für die AcousticPerformance finden Sie auf der QSC Audio Products-Website unter [www.qsc.com](http://www.qsc.com). Sie können sich unter +1 714 957-7150 oder unter der (nur in den USA) gebührenfreien Nummer +1 (800) 772-2834 auch an den Kundendienst wenden, um sich ein Exemplar zuschicken zu lassen.

如果您需要 AcousticPerformance 产品用户手册的完整副本，请访问 QSC 音频产品网站 [www.qsc.com](http://www.qsc.com)，或致电客户服务部门 +1 714 957-7150，或拨打免费电话（仅限美国）(800) 772-2834 通过邮件获取副本。