

CDS-110 NEPTUNE

APPLICATIONS

Auditorium Sound Reinforcement	House of Worship Installations
Sports Facilities	Theatrical Sound Installations
Audio-Visual Systems	Nightclub Installations
Portable Sound Reinforcement	Stage & Vocal Monitor

DESCRIPTION

The CDS-110 produces high definition, high impact sound over its controlled coverage angle, allowing precise effective audience coverage in a variety of applications. This point source loudspeaker, engineered for exceptional mid field and long throw performance, is known for its extraordinary fidelity and extremely high output. In addition to live performance venues it excels in music playback and stage monitoring applications. The multiple angle design along with the rotatable 90 degree (h) by 60 degree (v) coverage pattern offers optimal mounting and coverage options when up against walls and ceilings or a choice of angles when used as a stage monitor.

The CDS-110 includes an internal passive Time-Align crossover and an internal switch for bi-amp mode configuration. The Bi-amp mode utilizes the Bag End® Karios KS26 DSP processor including the presets for crossover, EQ, Time-Align and system limiting protection. Its uniform controlled directivity, surprisingly powerful bass and Time-Align fidelity, coupled with its small size and hi output, makes it perfect for most stand alone applications. Adding Bag End subwoofers will expand its capabilities to include very large venues.

Constructed from 15mm Baltic Birch plywood the CDS-110 features a durable and attractive black Ro Tex finish, durable steel grille, Integral handles, an internal stand adapter and M10 attachment points.



SPECIFICATIONS

System Type:

2-way vented 1.2 ft³

Enclosure:

15 mm 11-ply birch plywood

Finish:

Black Ro Tex™ True water born environmental finish

Grille:

14 Gauge black powder coated perforated steel

Low Frequency Components:

E-10F Transducer, 10" Cone, 2.5" Voice coil, Neodymium Magnet

High Frequency Components:

E-806 Transducer, 1.4" Exit Neodymium compression driver, CD Controlled Directivity Waveguide

Input Connector:

Dual Neutrik® speakON

Hardware:

Flypoints
Forged steel eye bolts

Fly Points Safe Working Load:

200 lbs Upper most rigging points

Crossover Type:

Passive or Bi Amp
Time-Align® equalizer filter @ 1 kHz

Sensitivity:

94 dB SPL (2.83 V @ 1m)

Frequency Response:

60 Hz - 20 kHz

Low Frequency Limit:

48 Hz (-10dB)

Power Handling:

1200 W continuous (IEC 60268)

Recommended Amplifier Power:

900 to 1800 W at rated impedance

Rated Impedance:

4 Ohms

Coverage Pattern:

500 Hz – 16 kHz
120 degrees x 85 degrees

Q 500 Hz – 16 kHz:

8.3

Di 500 Hz – 16 kHz:

8.7 dB

Recommended High Pass Filter:

53 Hz Butterworth 18 dB/octave

Polarity:

A positive asymmetrical signal applied to the + terminal will result in a positive asymmetrical acoustical pressure

Dimensions:

23.25" h x 12.75" w x 12" d
59 cm x 32 cm x 31 cm

Weight:

41lbs
19 kg

Custom Finishes:

Optional custom finishes include white, unfinished ready to paint and outdoor weather treatment.

70/100/140 Volt Operation:

Optional 400 Watt taped internal transformer

TIME-ALIGN®, TIME-ALIGNED™ and TIME-ALIGNMENT™ are trademarks of E.M. Long Associates.
BAG END® is a registered trademark of Bag End, Inc.

CDS-110 NEPTUNE

ABOUT TIME-ALIGN® TECHNOLOGY

Time-Align® assures that the fundamental and overtones of a complex, transient, acoustical signal are presented to the listener in the same relationship as the electrical signal at the input terminals of the loudspeaker. The conventional loudspeaker spreads out the sound in time. When a rapid series of transients occur the results are blurring and lost detail. With Time-Align®, a transient is presented as a tight package of energy, with the same time relationships as the natural sound. This means that a rapid series of transients will be heard clearly.



True Time-Alignment™ requires much more than just physically lining up the loudspeaker components. It requires consideration of the driver placement, driver delay and adjustment of the crossover delay parameters. This achieves the precise simultaneous acoustical arrival time of each driver throughout the crossover region.

The first Time-Aligned™ Loudspeaker was invented by EM Long Associates in 1976 utilizing the Time-Align® generator invented and built by Ronald Wickersham. In 1980 Bag End® incorporated Time-Align® technology into our full range loudspeaker systems. Along with state-of-the-art laboratory instruments, the proprietary Time-Align® generator is still in use today to verify the time domain performance of our loudspeaker systems. When comparing a genuine Bag End® Time-Aligned™ loudspeaker system to any other, our technology and design is easy to hear and appreciate. The dramatic clarity, realism, and overall pleasant sound of our Time-Aligned™ systems are well noted worldwide.

ABOUT OUR RO TEX™ FINISH

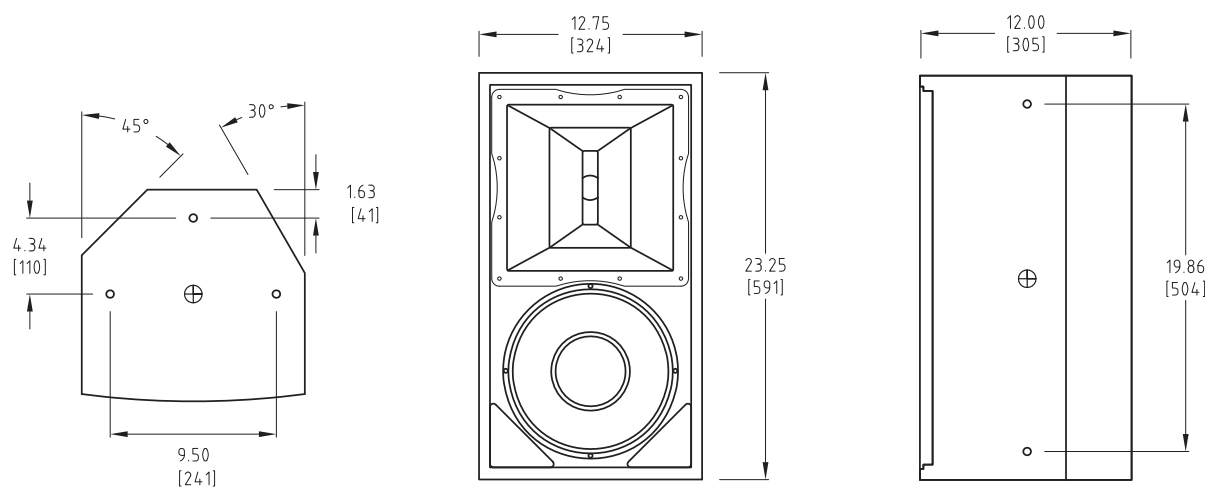
The durable Ro Tex™ finish is double layered on Bag End™ "R" series or Road cabinets. And single layered on installation or "I" cabinets. Ro Tex™ is a water born

environmentally safe finish. It's uniquely strong and long lasting. As it solidifies it attaches and bonds to the wooden cabinet to make a super hard and durable permanent finish. Its light texture offers an attractive and rugged finished look

ABOUT BAG END® LOUSPEAKERS

Bag End loudspeakers began in 1976 in a small shop by people dedicated to the pursuit of making high quality loudspeaker systems. Over the decades Bag End® has employed the very best construction techniques and innovative acoustical designs into their products. The ground breaking introductions of the Time-Align® and ELF™ Technologies into sound reinforcement and studio monitor loudspeakers in the 1980's was followed by Minima One™ self-powered systems and the highly unique E-Trap™, electronic bass trap. Over the decades, Bag End® has been a leader in providing uniquely good sounding products and extraordinary service to our customers world wide.

DIMENSIONS



⊕ = Center of Gravity ○ = M10 Threaded Rigging Point