

# D SERIES

# D10SUB

10-INCH  
CEILING MOUNT SUBWOOFER



## FEATURES

- Powerful, high-impact bass response
- Internal passive low-pass crossover
- Spring loaded Drop-Stop™ installation assistant tabs support the back can on the included rails and C-ring to simplify installation
- Uniquely designed tile bridge support rails and snap-on C-ring support plates prevent sag
- Twist-Assist™ loudspeaker face retainer tabs for fast and easy installation
- ¾-inch and 1-inch knock-outs on the sides of the back can
- External loop-through Euroblock connectors
- Rear cover with integrated cable clamp (strain relief) and optional conduit knockout
- Selectable 8 ohm or 70V/100V operation
- Five year warranty

## APPLICATIONS

- Convention centers, exhibit halls
- Corporate training rooms, ballrooms
- Athletic venues, sports facilities, health clubs
- Houses of worship
- Malls, airports

The **D10SUB** ceiling mount subwoofer provides powerful, high-impact bass response intended to augment any combination of D SERIES full-range models. By including a complement of D10SUBs into a distributed system, musical results that equal or exceed that of much larger and more costly surface-mount systems can readily be achieved. The D10SUB's clean, clear bass response provides a compelling attraction for shoppers in a retail environment, and a memorable experience for bar, pub and restaurant patrons.

Dependent on program content and the size of the full-range D SERIES models, the ratio of D10SUB's to full-range models may vary from as few as 1:6 to as many as 1:1. For example, one D10SUB will provide strong supporting bass response for six D4's or D5's, while four D10 SUB's will better complement six of the more powerful D8's or D10's.

Like all D SERIES models, the D10SUB installs quickly and easily. Exclusive **Drop-Stop™** and **Twist-Assist™** Tabs allow single-handed placement to speed the installation process. Drop-Stop's spring-loaded legs support the back can on the included tile rails and snap-on C-ring, so that the installer no longer needs to hold the can against the tile while tightening the clamps. Twist-Assist performs a similar function for the baffle assembly: when the loudspeaker back cans are pre-installed into a conduit system for termination at a later date, a simple twist of the baffle into the back can brings the Twist-Assist clips together, supporting the baffle assembly while the installer fastens the screws.

The front-face wattage selector switch enables quick adjustment of levels, while the high-power internal autoformer permits full power output with 70V or 100V lines. A variety of installation accessories are available to accommodate different ceiling materials.

Exceptionally Even Coverage | Stunning Sound Quality | Rapid Installation



# D SERIES

# D10SUB 10-INCH CEILING MOUNT SUBWOOFER



## SPECIFICATIONS

<b>Loudspeaker Type:</b>	Ceiling mount subwoofer
<b>Operating Range:</b>	42 Hz - 200 Hz
<b>Frequency Response:</b>	60 Hz - 160 Hz ( $\pm 5$ dB)
<b>Max Input Ratings (8 ohm):</b>	200W continuous, 500W program 40 volts RMS, 89 volts momentary peak
<b>Transformer Taps—70V: 100V:</b>	200W, 100W, 50W, 25W and low impedance 200W, 100W, 50W
<b>Sensitivity (1W/1m):</b>	93 dB SPL (63 Hz to 250 Hz 1/3 octave bands)
<b>Maximum Output:</b>	116 dB SPL / 122 dB SPL (peak 8 ohm)
<b>Nominal Impedance:</b>	8 ohms
<b>Minimum Impedance:</b>	8.4 ohms @ 100 Hz
<b>Nominal Coverage:</b>	180° conical
<b>Axial Q / DI:</b>	1.7 / 2.3, 50 Hz to 200 Hz
<b>Recommended Signal Processing:</b>	41 Hz high pass filter
<b>Drivers:</b>	LF 1 x 10-inch
<b>Driver Protection:</b>	Self-resetting solid state circuit breaker
<b>Input Connection:</b>	4-position Euroblock connector
<b>Controls:</b>	Front-face wattage / low impedance selector switch
<b>Enclosure:</b>	Corrosion-resistant zinc plated steel
<b>Mounting/Rigging Provisions:</b>	4 steel mounting clamps with 3-inch grip range
<b>Grille:</b>	Powder coated steel with safety line, white finish, paintable
<b>Baffle:</b>	Reflex loaded UL 94V-0 rated ABS
<b>Safety Features:</b>	4 x safety hang points
<b>Safety Agency Ratings:</b>	ETL listed to comply with UL1480, UL2043 and CSA60065. Suitable for use in air handling spaces per NFPA 70 and NFPA 90.
<b>Required Accessories:</b>	Electronic high pass filter
<b>Supplied Accessories:</b>	C-Ring supporting plate, tile support bridge rails, grille, paint mask, cut-out template, flat screwdriver
<b>Optional Accessories:</b>	<b>D10-NCB</b> New Construction Bracket <b>D-RAIL48-PR</b> Pair of 48" Channel Rails
<b>Dimensions—Width: Depth:</b>	15.197 inches (386 mm) bezel diameter 9.938 inches (252.4 mm) can depth
<b>Cutout Diameter:</b>	14.125 inches (359 mm)
<b>Weight:</b>	24.8 lbs (11.2 kg)

### NOTES:

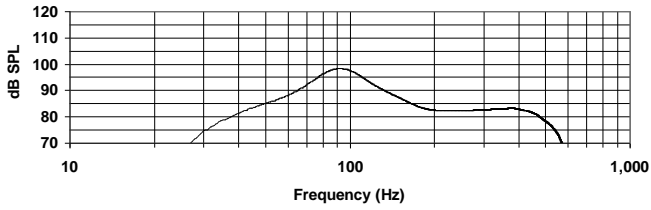
1. Sensitivity: Half space pink noise measurement at 6 ft (1.8 m) at 20% power; extrapolated to 1 meter and an input of 2.83 volts RMS.
2. Watts: All wattage figures are calculated using the rated nominal impedance.
3. Frequency response and sensitivity are half-space measurements.

# D SERIES

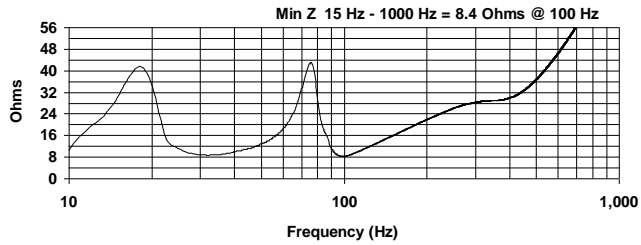
# D10SUB

10-INCH  
CEILING MOUNT SUBWOOFER

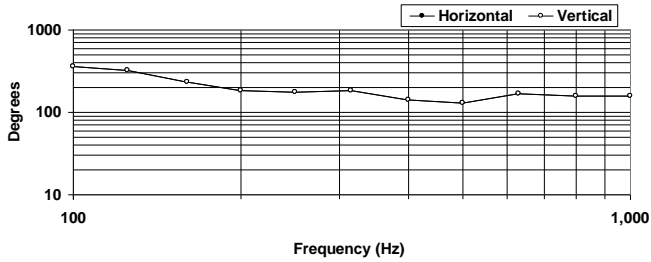
## FREQUENCY RESPONSE



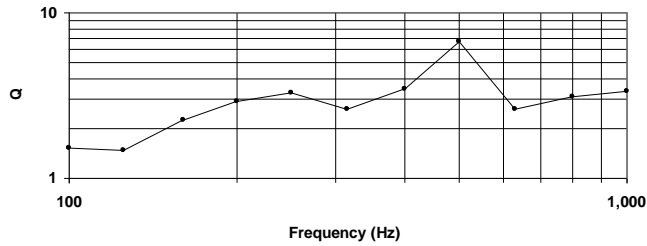
## IMPEDANCE



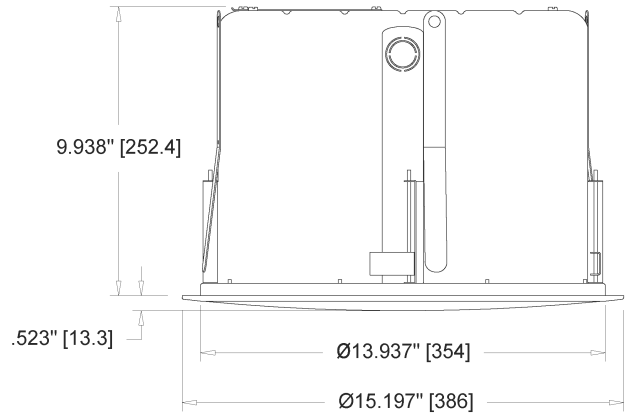
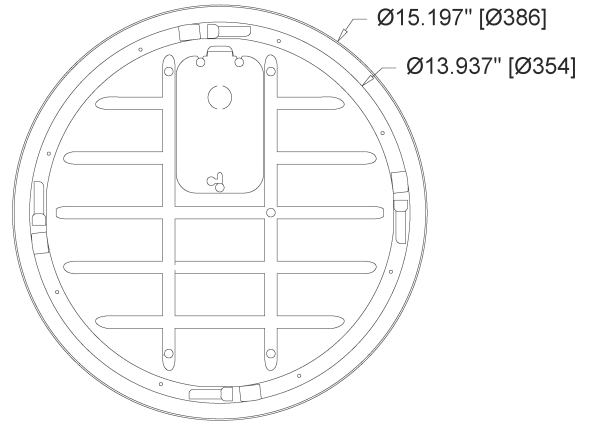
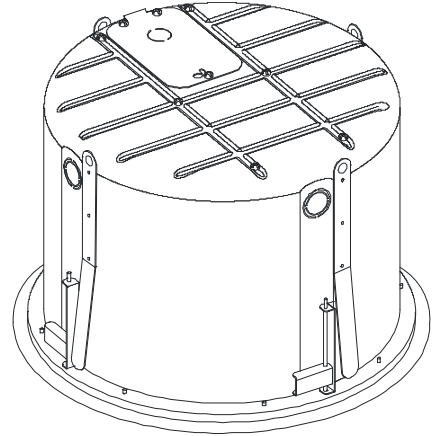
## BEAMWIDTH



## AXIAL Q



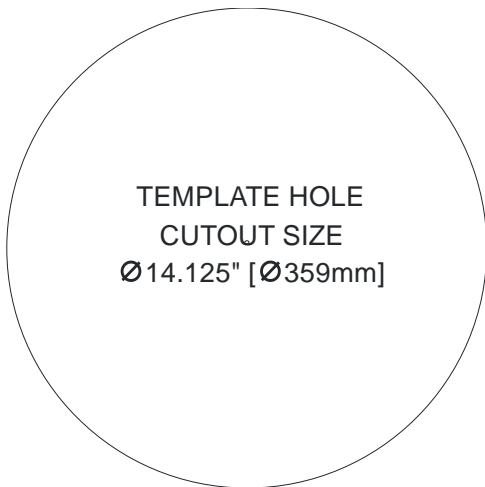
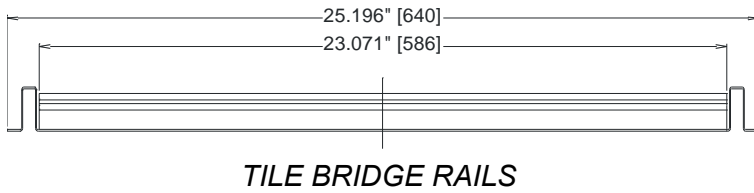
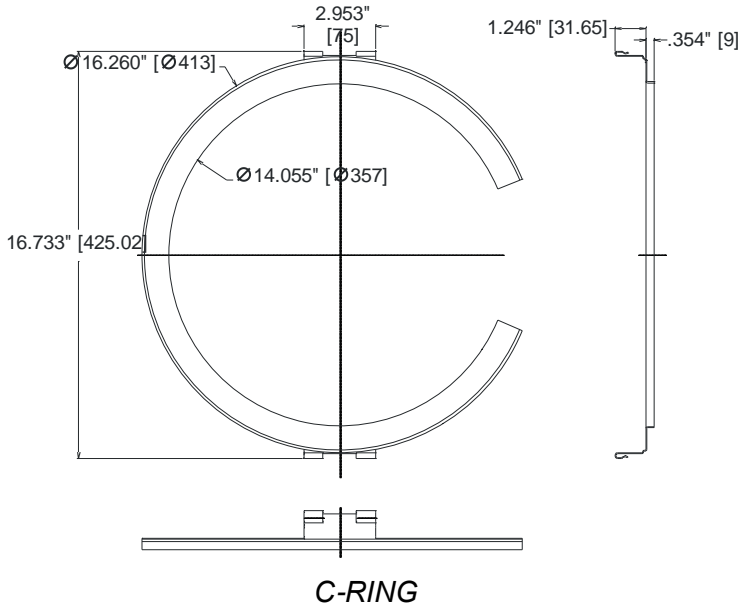
## DIMENSIONAL DRAWINGS



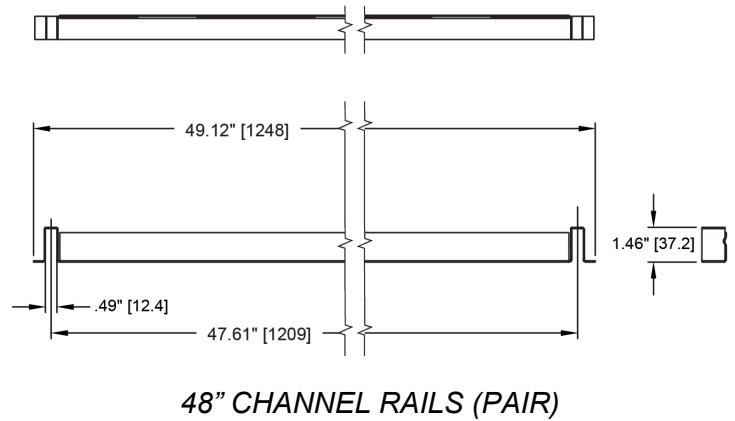
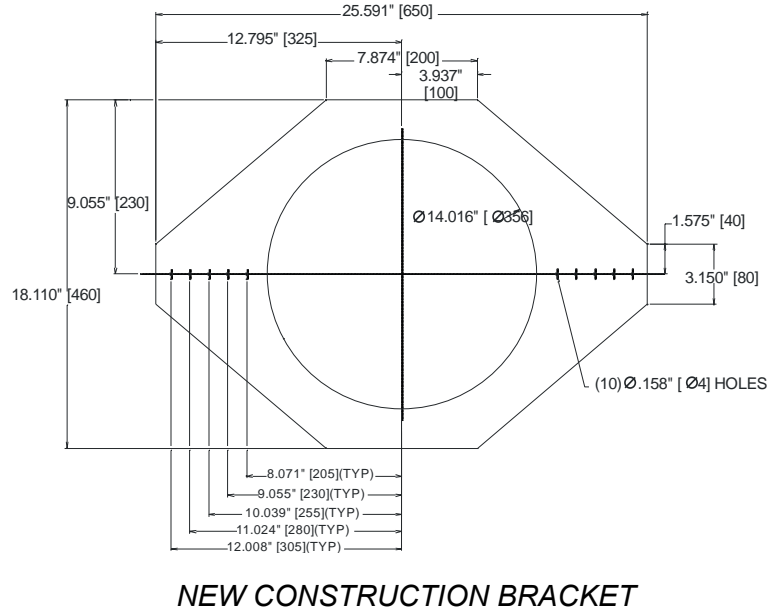
# D SERIES

# D10SUB 10-INCH CEILING MOUNT SUBWOOFER

## INCLUDED ACCESSORIES



## OPTIONAL ACCESSORIES



**D SERIES**

# **D10SUB** 10-INCH CEILING MOUNT SUBWOOFER

## **ARCHITECTURAL SPECIFICATIONS**

The loudspeaker system shall be a ceiling mount subwoofer system with a 10-inch low frequency transducer with patented Carbon Ring Cone Technology™, with a self-resetting solid state circuit breaker for driver protection. The paintable loudspeaker baffle shall be constructed of UL 94V-0 rated ABS material and include Twist-Assist™ face retainer tabs for easy insertion into the back cans. A paintable steel grille with a durable white powder coat finish shall be included.

The back can provided with the ceiling loudspeaker system, shall be constructed of corrosion-resistant zinc plated steel featuring spring loaded Drop-Stop™ installation assistant tabs. The back can shall include a recessed termination box with a removable locking connector with screw terminals for secure wire termination with "loop through" ability. Strain relief will be provided by a clamping mechanism for use with plenum rated cable or conduit.

The system shall have an amplitude response of 60 Hz to 160 Hz (+/-5dB) and a low impedance (8 ohm) input capability of 40V RMS. The sensitivity at 1W/1m shall be 93 dB (63 Hz to 250 Hz, 1/3 octave bands). The loudspeaker system shall have a conical coverage pattern of 180 degrees. The nominal system impedance shall be 8 ohms (in low impedance setting).

The system shall be equipped with a 200W high performance autoformer for use in 70.7V or 100V distributed audio systems, with 200W, 100W, 50W and 25W taps available in 70.7V distributed systems (200W, 100W and 50W taps available in 100V distributed systems). An easily accessible front-face tap selector switch located on the front baffle, which is concealed by the supplied removable grille, shall be available for selecting autoformer and low impedance settings.

A snap-on C-Ring supporting plate and two tile support bridge rails shall be included. The loudspeaker system shall have a bezel diameter of 15.197 inches (386 mm), a can depth of 9.938 inches (252.4 mm) and weigh 24.8 lbs (11.2 kg). There shall be available an optional New Construction Bracket for installing the loudspeaker system in new construction before drywall or plaster is put into place. An optional pair of 48" (1219mm) channel rails shall also be available to mount the loudspeaker in larger ceiling grids.

The system shall be ETL listed to comply with UL1480, UL2043 and CSA60065 and suitable for use in air handling spaces per NFPA70 and NFPA90.